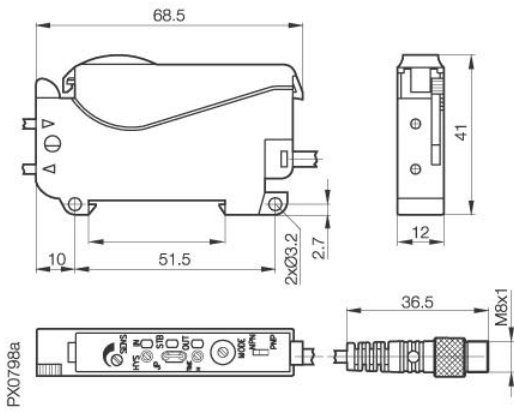


**Photoelectric Sensor**  
**BOS 74K-UU-1FR-BO-Z-S49-0,2**  
**Sn=mm**  
**Basic Unit for Fibre optic**



**Common Data**

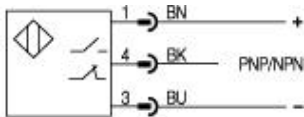
Series	74k
Sensortype	Basic Unit for Fibre optic
Switching frequency	1000 Hz
assured operating distance Sa	belonging to Fibre optic
Repeat accuracy	belonging to Fibre optic
Indication Supply Voltage	yes
Indication Switching element on	yes
Indication Special funktion	Adjustment help
Ambient temperature	-10...+60°C
On-delay	<500 µs
Off-delay	<500 µs
Light	Red light, 660nm
Sensitivity Adjustment	Poti
Blind zone / min Reflector distance	belonging to Fibre optic
Special funktion	Stabilization indicator/Time
function	
Permissable ambient light	5000 Lux
Output funktion	light-on or dark-on

**Mechanical Data**

Measurements	68,5x41x12
Housing material	PBTB
Degree of protection	IP66
Connection	Connector S49 (M8,3-pin)

**Electrical Data**

Current	DC
Switching funktion	NO/NC
Output	PNP/NPN
Rated operational voltage Ue	24V
Rated operational current Ie	100mA
Supply Voltage	10...30V DC
Ripple	< 10% from UB
Frequency of Supply Voltage	DC
No-load supply current	≤ 50mA
Voltage drop	<2,5V
Short protection	yes
Protected against polarity reversal	yes
Rated insulation voltage	75VDC
max. Load capacity	0,05µF



Utilization categories  
 Insulation class

DC13

Datasheet number:

Definitions see general catalog.  
 If not otherwise noted, ratings according to  
 IEC 60947-5-2 (DIN EN60947-5-2)

Balluff GmbH  
 Schurwaldstrasse 9  
 73765 Neuhausen a.d.F.  
 Phone (07158) 173-0 Fax (07158) 5010

Datenblatt by CD-ROM - 04/2007

**BALLUFF**  
 sensors worldwide